

# Output Filter for convertor

## FRKT66J-30TE



- Rated voltage 400 VAC, 50/60 Hz
- Rated current 30A @ 40°C

### Construction

Aluminum housing  
Multiple terminal options

### Features

Integrated solution of both input and output filter, optimized EMI filter solution for frequency converters  
Excellent performance with compact size  
Attached to side of the converter, easy to install

### Applications

Output side of frequency converter  
Inverters and frequency converters applications: elevators, cranes, traction system, heating systems  
Machine tools: printing machine, packaging machine, milling and drilling machine, textile machine  
General three phase motor system  
Medical systems: X-ray, CT, MRI

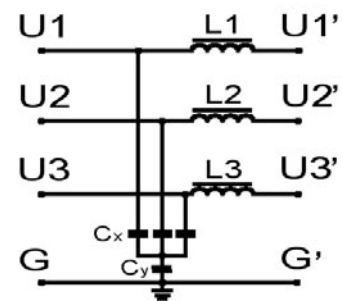
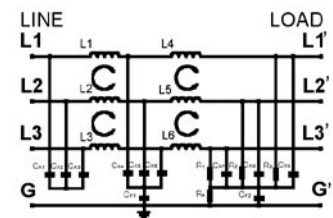
### Marking

Marking on component:  
Manufacturer's logo, ordering code  
Rated voltage, rated current, date code  
Minimum marking on packaging:  
Manufacturer's logo, ordering code

### Technical data

Rated voltage $V_R$	400VAC, 50/60 Hz
Rated current $I_R$	30A @40 C
Test voltage $V_P$	2250 VDC/10mA (line/line) 2700 VDC/10mA (lines/case)
Leakage current $I_{leak}$	<12mA @250VAC, 50 Hz <0.3mA @250VAC, 50Hz
MTBF	>0.3 Million hours @ 40°C/400V
Climatic category	-25°C /+ 85°C (25/085/21 HPF)

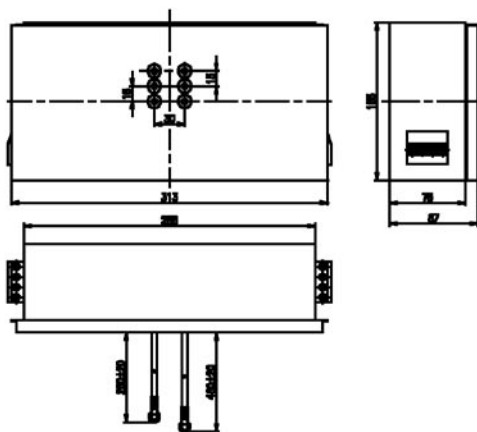
### Typical circuit diagram



# Output Filter for convertor

FRKT66J-30TE

## Dimensional Drawing (unit: mm)



## Installation guidance

- Filter metal housing must be electrically well contacted to cabinet panel, the grounding wire must be connected. The input and output wires should be well separated to avoid noise coupling.
- The filter must be installed at power input side of cabinet to shorten the input wire length, with such configuration, the radiated interferences can be minimized.
- When inserting wires, the maximum torque applied to the screw can not exceed the related standard. Please refer to the JONES connector technical information to find out torque information.